

# MultiSync M321 Large Format Installation Guide

[Ver.1.0]

**Contents:**

Product Description and Notes \_\_\_\_\_ Page 1  
 Rotation \_\_\_\_\_ Page 1  
 Ventilation Recommendations \_\_\_\_\_ Page 2  
 Display Dimensions \_\_\_\_\_ Pages 3-4  
 Optional Stand Dimensions \_\_\_\_\_ Pages 5-6  
 Optional Wall Mount Dimensions \_\_\_\_\_ Page 7  
 PD Comms Tool \_\_\_\_\_ Page 8  
 Cable Connection \_\_\_\_\_ Page 8  
 Browser Control \_\_\_\_\_ Page 9



**Product Description:**

Type: LCD Display  
 Resolution: 1920 x 1080  
 Aspect Ratio: 16:9  
 EMI: Class B

	Software Compatibility	Bezel Size	VESA Hole Pattern	Dimensions (without stand)	Weight (without stand)	Power Consumption (Typical) (Max Brightness) (Absolute Max*)	BTU's (Typical) (Max Brightness) (Absolute Max*)	Current Rating
<b>M321</b>	NaviSet Administrator 2 PD Comms Tool Display Wall Calibrator NEC Display FW Update Tool	11.9mm (T) 11.9mm (R) 11.9mm (L) 17.2mm (B)	100 x 100mm (VESA) 200 x 200mm (off-center) M4 x 10-14mm	28.6 x 16.8 x 2.6 in. 726.5 x 425.4 x 66.5mm	6.3kg / 13.9lbs.	40W 50W 75W	136.50 BTU/hr 170.62 BTU/hr 255.93 BTU/hr	0.8A @ 100V 0.3A @ 240V

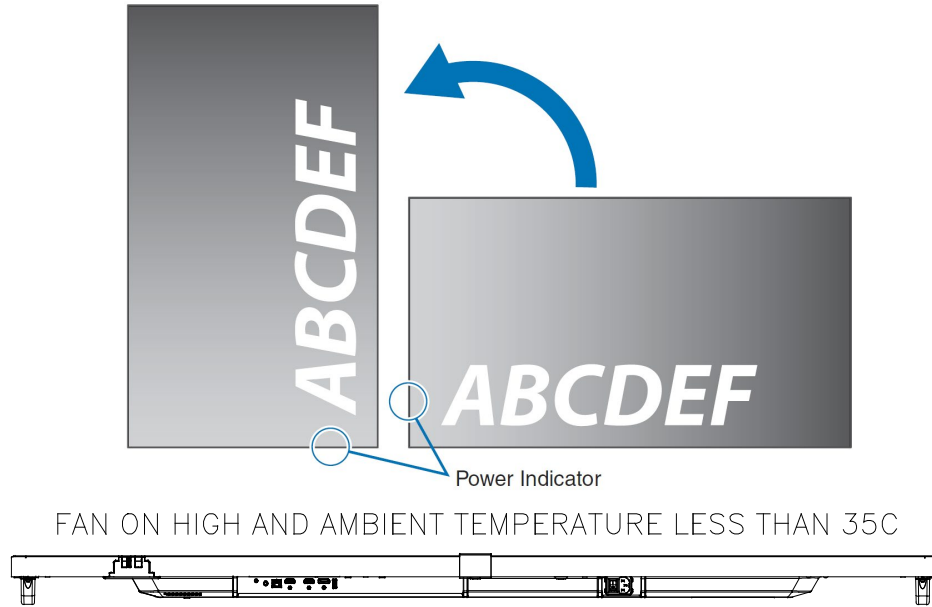
\*Absolute Max refers to when the display is at full brightness with all slots active and volume at 100.

**NOTES:**

- This document is intended to be used as a reference guide to supply useful information for a design or installation. It is not intended to be a step-by step procedure for installation.
- Any ceilings or walls must be strong enough to support the monitor and the installation must be in accordance with any local building codes. All mounts should make secure contact to wood studs.
- Distances are in inches, for millimeters multiply by 25.4. Distances may vary ±5%.

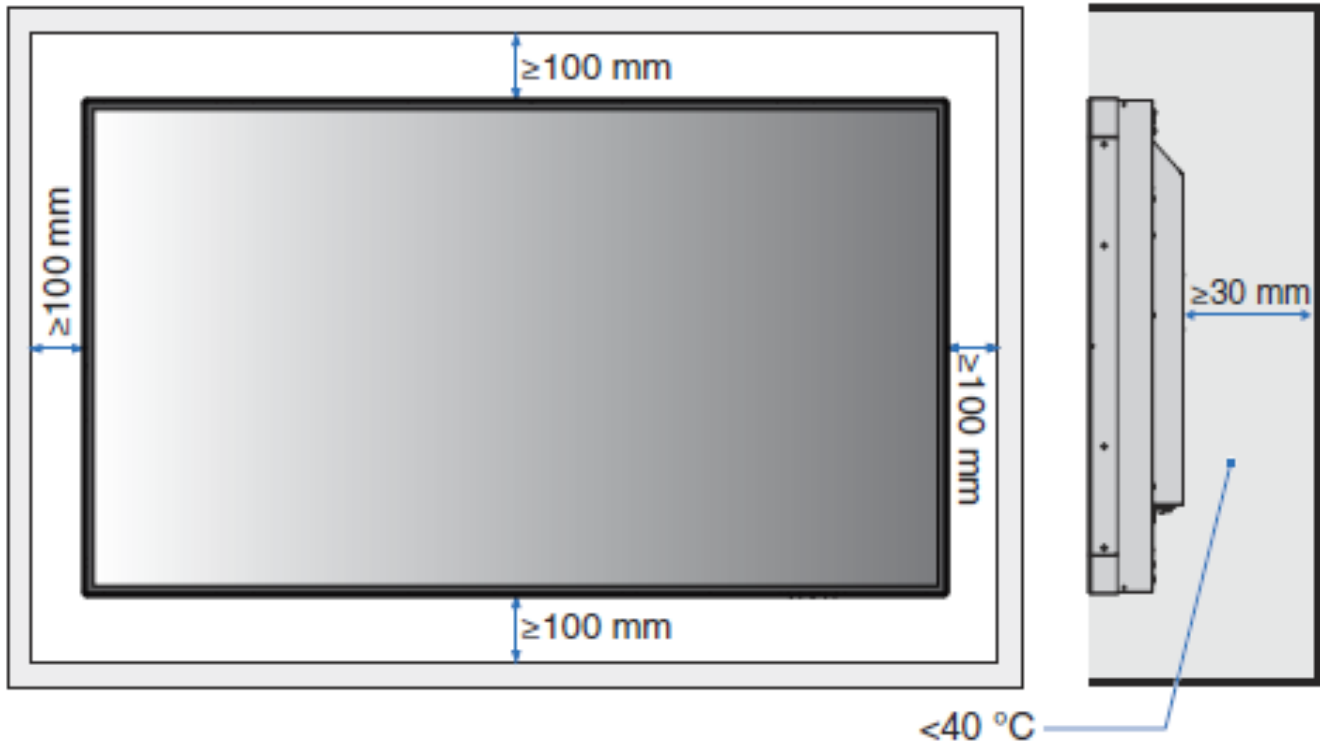
### Rotation/Face Up:

- If display is to be used in portrait orientation, rotation needs to be **counterclockwise**. Face Up orientation is supported for this model **only** if the ambient temperature stays less than 35 degrees Celsius.



### Ventilation Recommendations:

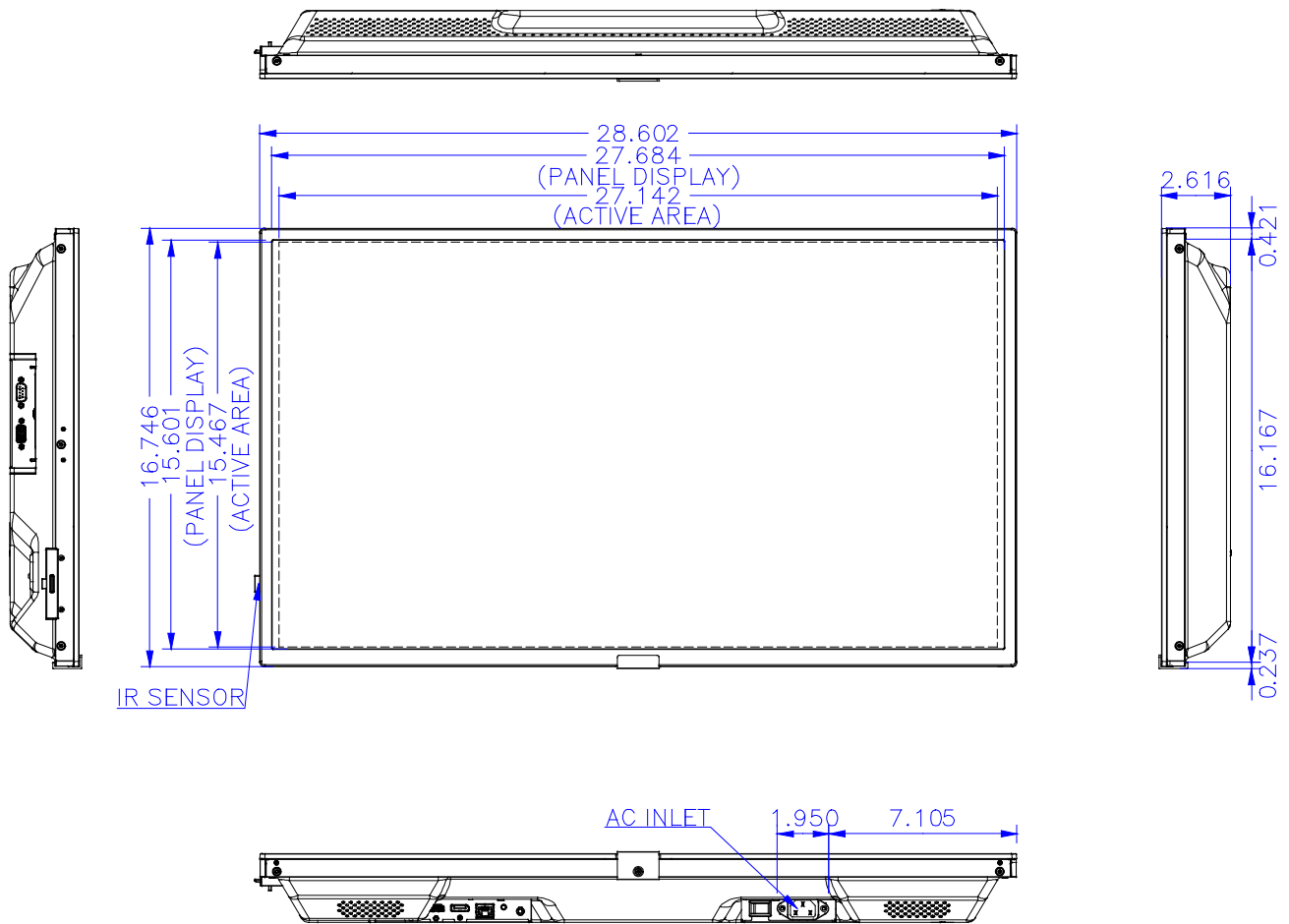
Dimensions below are minimum recommended for proper ventilation



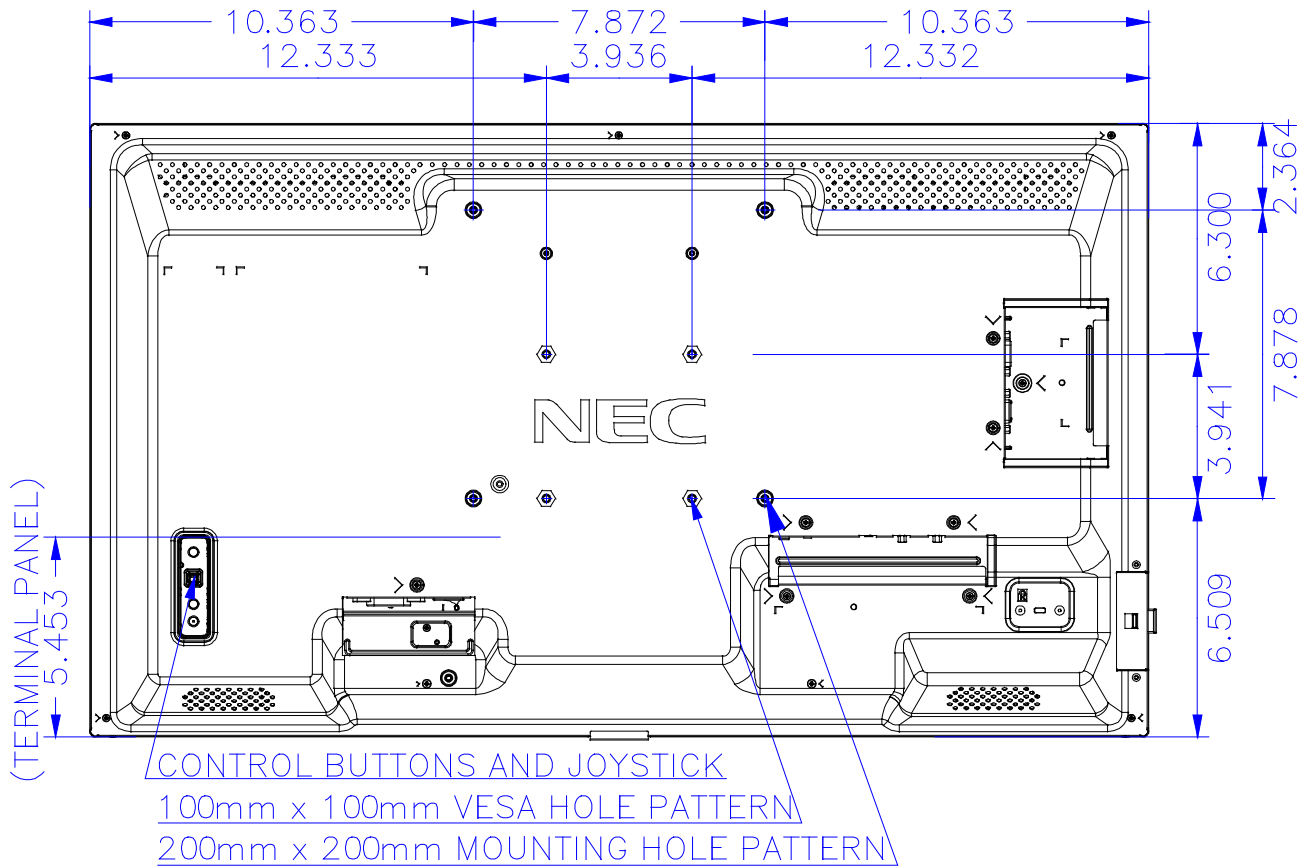
#### NOTE:

- The above are recommendations in order to keep your display as cool as possible. If the distances are less than the 100mm, extra ventilation may be necessary. The ventilation space should not be covered or closed off at the front of the opening. If for some reason the opening needs to be covered, other means of ventilation will need to be incorporated into the design. Contact NEC for design review and recommendations.

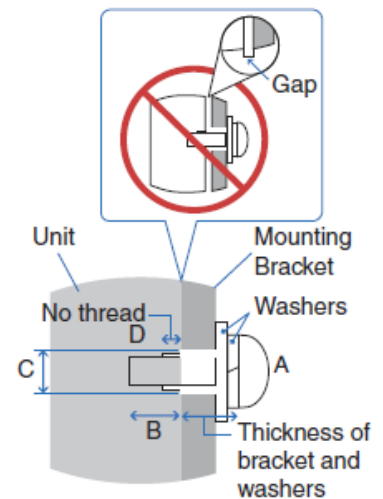
## Display Dimensions – M321:



Display Dimensions – M321 cont'd:

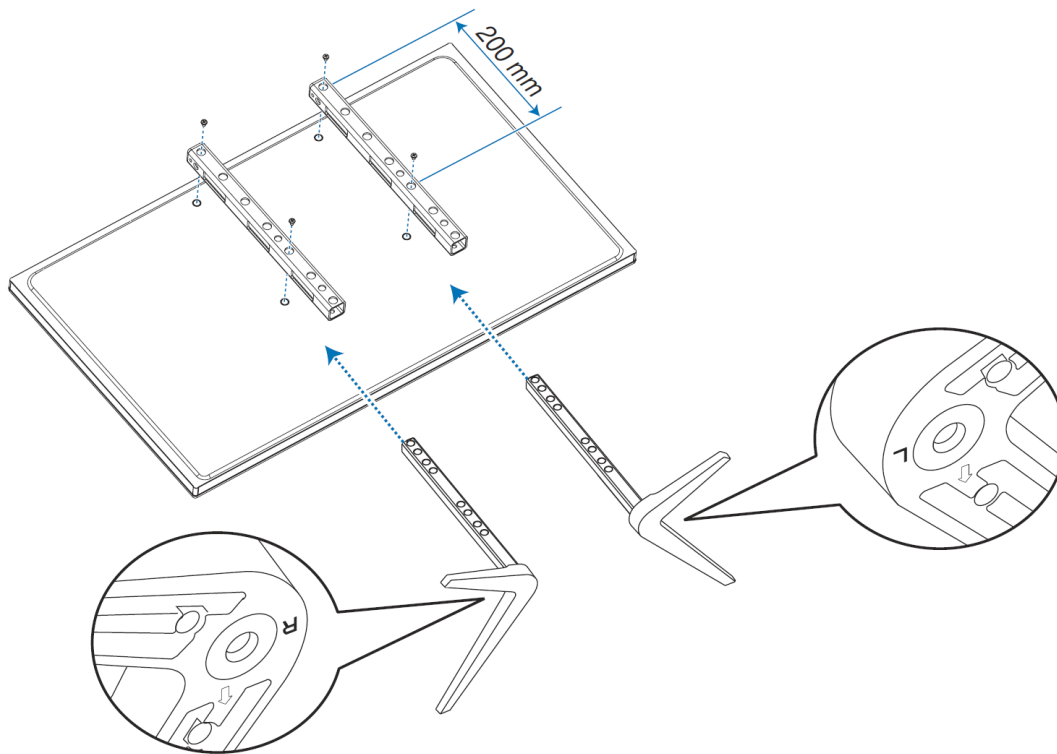


NEC strongly recommends using size M4 screws (10-14mm + the thickness of the bracket and washers in length).

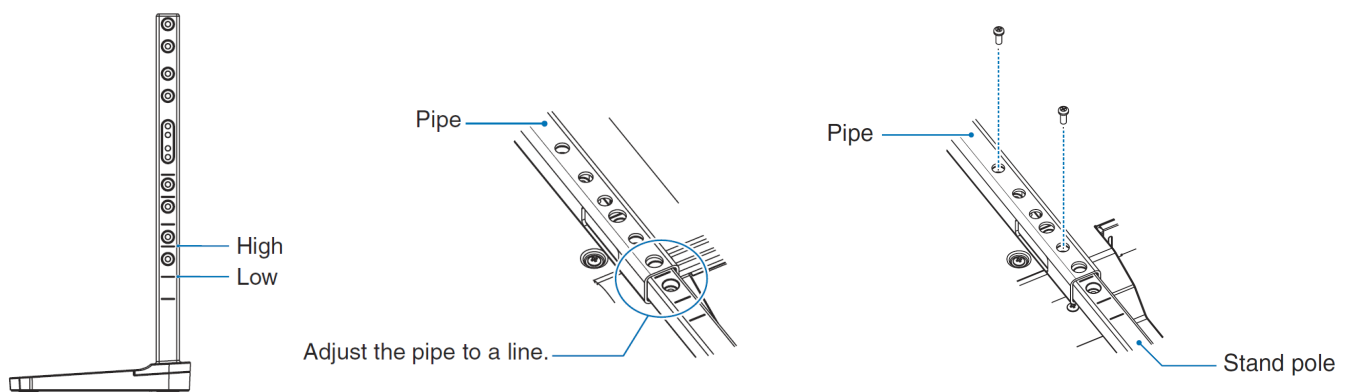


## Installing and Removing the Optional Table Top Stand (ST-32M)

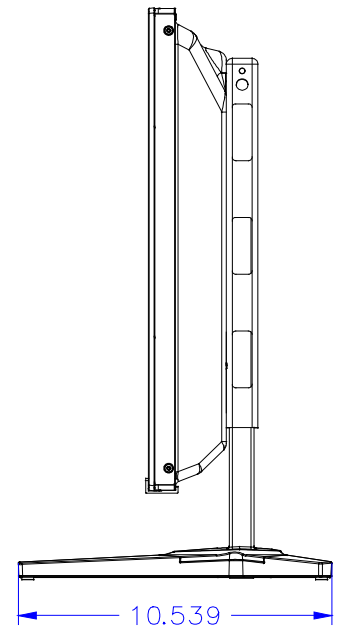
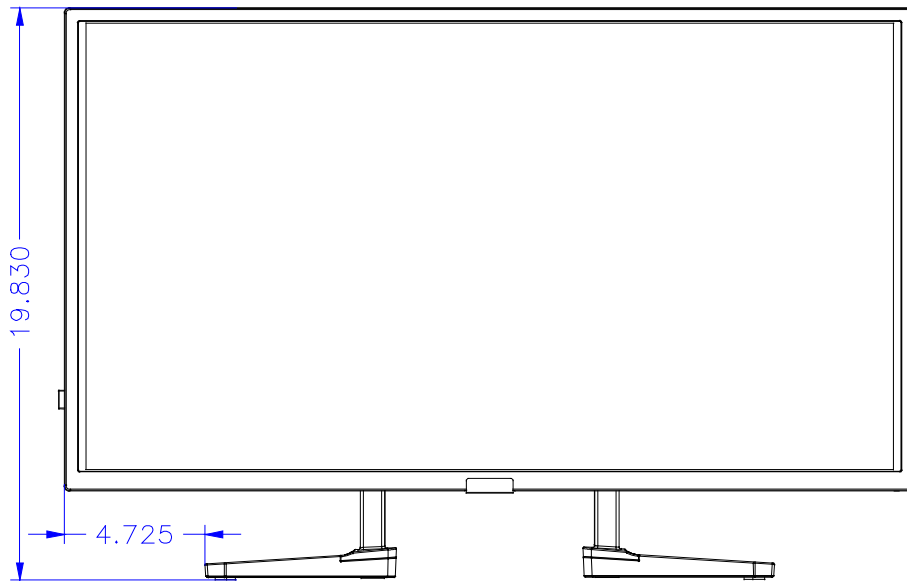
- The M321 uses the ST-32M as a table top stand option.
- Only use the screws that are included with the optional stand.



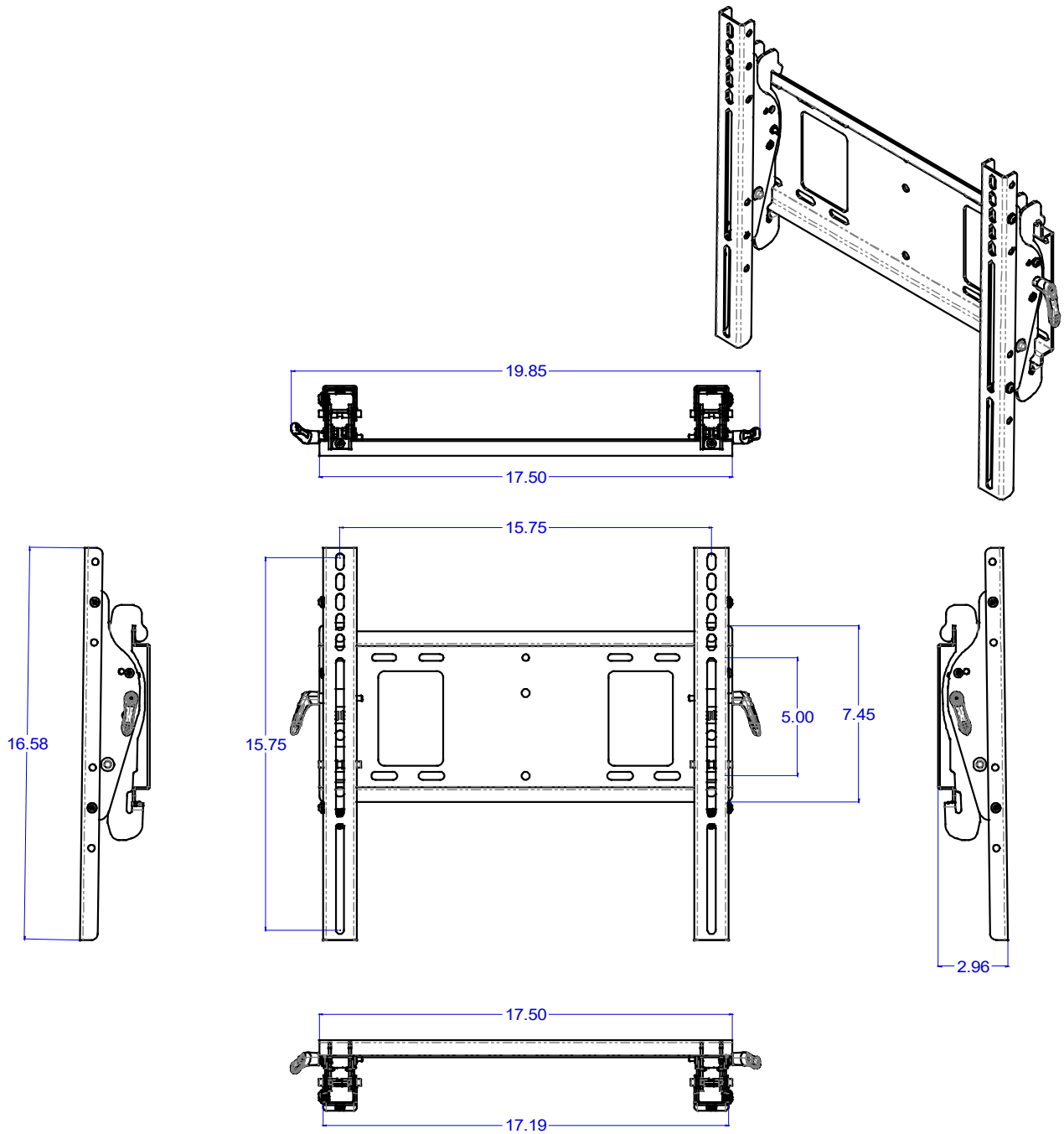
The stand pole has indicators that for height adjustment. Please install the stand pole and pipe with the included screws.



## Display Dimensions (with ST-32M):



## Optional Large Wall Mount (WMK-6598):



## Input Panel:

Bottom:



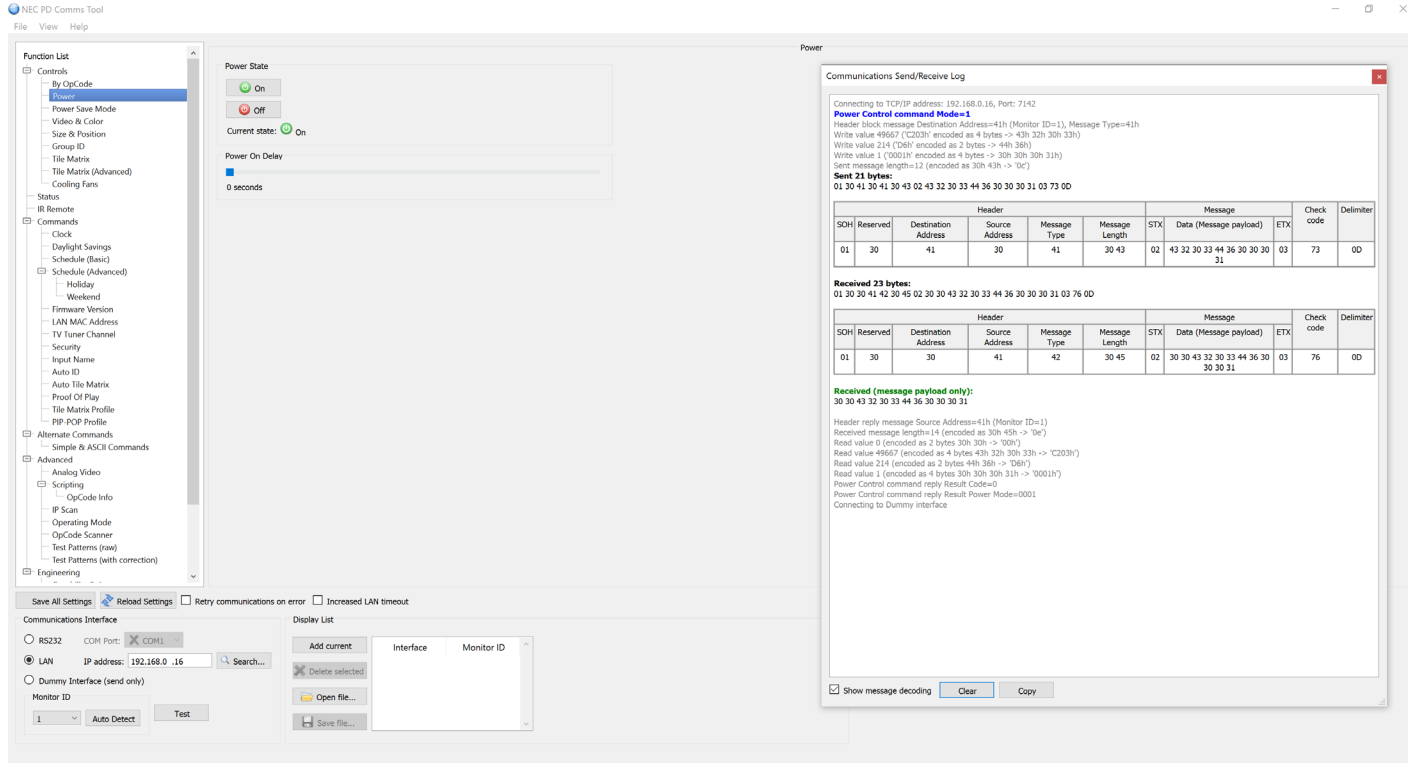
Side (Rotated):





### PD Comms Tool

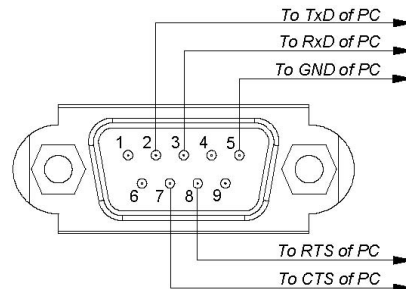
- Please download PD Comms Tool and open the Communications Log by going to View → Communications Log. From here you can find any external control code necessary for your installation
- PD Comms Tool can be downloaded from here: <https://www.sharpnecdisplays.us/faqs/pdcommstool/179>



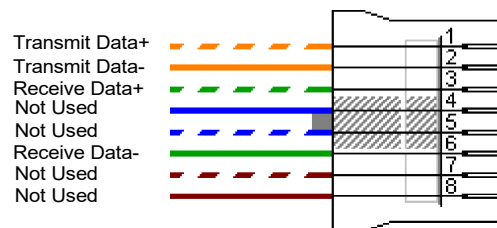
### Cable Connection

#### Communication Protocol:

Interface: RS-232C  
 Communication System: Asynchronous  
 Baud Rate: 9600 bps  
 Data Length: 8 bits  
 Parity: None  
 Stop Bit: 1 bit  
 Communication Code: ASCII



Interface: Ethernet (CSMA/CD)  
 Communication System: TCP/IP (Internet Protocol Suite)  
 Communication Layer: Transport layer (TCP)  
 IP Address: 192.168.0.10 (default out of box)  
 Port Number: 7142 (Fixed)



## Browser Control:

Information and control can also be available through the HTTP browser control menu.

In order to accomplish this, type: **http://<the Monitor's IP address>/pd\_index.html**

Note that the LAN Power needs to be turned on in order for the display to be controlled while the units are off.

All displays are set to the IP address 192.168.0.10 out of the box unless changed through the initial setup guide

Communicating network PC needs to be on the same subnet as display that is being communicated with



HDMI1

- [HOME](#)
- [REMOTE CONTROL](#)
- [PICTURE ADJUST](#)
- [AUDIO](#)
- [SCHEDULE](#)
- [MULTI PICTURE CONTROL](#)
- [OSD](#)
- [MULTI DISPLAY](#)
- [DISPLAY PROTECTION](#)
- [EXTERNAL CONTROL](#)
- [ADVANCED OPTION1](#)
- [ADVANCED OPTION2](#)
- [NETWORK MAIL](#)
- [SNMP](#)
- [AMX](#)
- [CRESTRON](#)
- [NAME](#)
- [NETWORK PASSWORD](#)
- [PD LIST](#)
- [MEMO](#)
- [UPDATE FIRMWARE PORT](#)
- [UPDATE FIRMWARE\(ALL\)](#)

### HOME

Welcome to the management and configuration web interface.  
You can use the navigation menus on the left to access additional pages.

#### MONITOR INFORMATION

MODEL NAME	
SERIAL	45S00005TA

#### FIRMWARE VERSION

FIRMWARE1	0.017
FIRMWARE2	0.008
FIRMWARE3	0.011
FIRMWARE4	0.002

#### ETHERNET

MAC ADDRESS	58:C2:32:33:00:03
IPv4 ADDRESS	192.168.0.10
SUBNET MASK	255.255.255.0
DEFAULT GATEWAY	0.0.0.0
DNS PRIMARY	0.0.0.0
DNS SECONDARY	0.0.0.0

#### ID

Copyright © NEC Display Solutions, Ltd. 2014. All rights reserved.